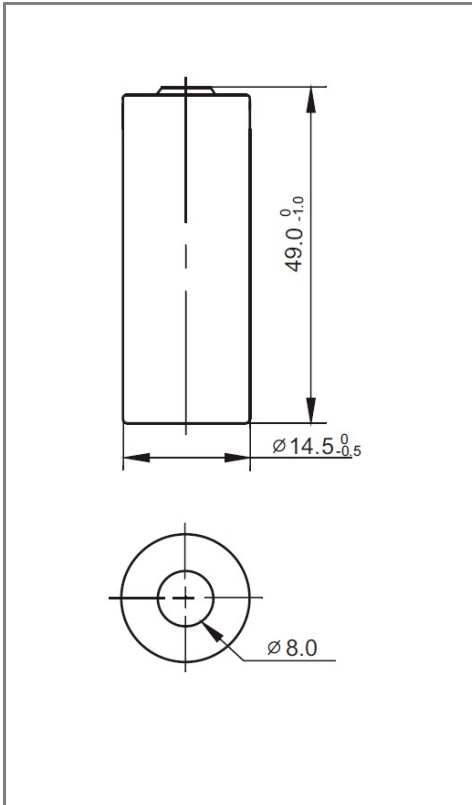


H-AA1500H Specifications



Nominal Capacity	1500mAh
Nominal Voltage	1.2V
Internal Impedance (at 1000Hz)	<20mΩ
Charge	
Standard Charge	150mA x 16h
Trickle Charge	75mA x 48m
Discharge Cut-off Voltage	1.0V
Max Dimension (with tube)	
Diameter	14.5mm
Height	49.0mm
Weight	27g
Operating Temperature	
Standard charge	0 ~ 70°C
Trickle charge	0 ~ 70°C
Discharge	-20 ~ 70°C
Storage Temperature	
Within 1 month	-20 ~ 45°C
Within 6 months	-20 ~ 35°C

