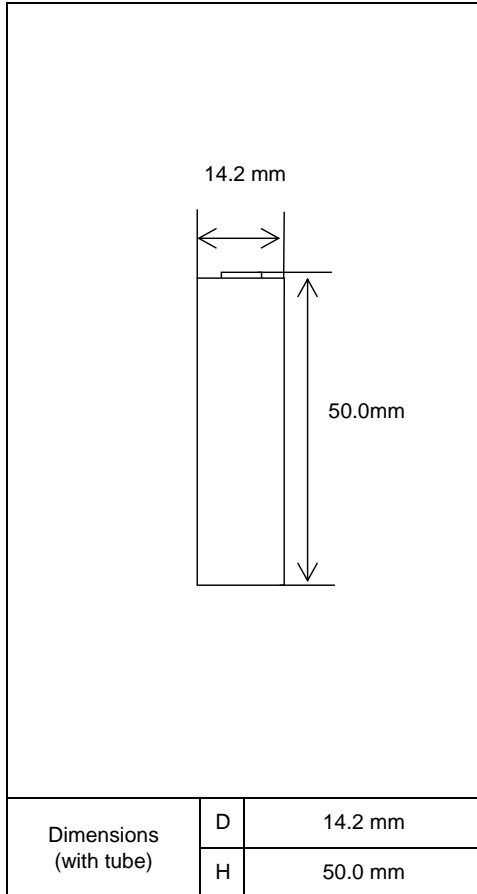


### Specifications

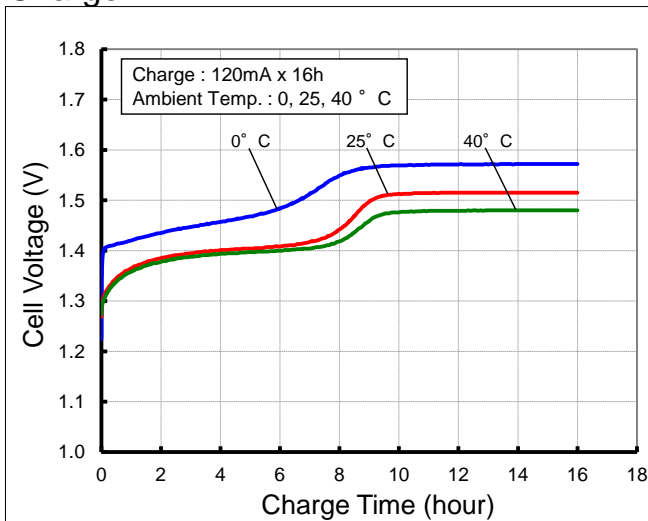


Type : Nickel-Metal Hydride Battery		Size : AA	
Capacity <sup>1)</sup>	Typical	1200 mAh	
	Minimum	1100 mAh	
Nominal Voltage		1.2 V	
Charging Current x Time	Fast Charge <sup>2)</sup>	1200 mA x about 1.1 h	
Ambient Temp.	Charge Condition	Fast Charge <sup>2)</sup>	0 °C ~ +40 °C
	Discharge Condition		0 °C ~ +50 °C
	Storage Condition	Less than 30days	-20 °C ~ +50 °C
		Less than 90days	-20 °C ~ +40 °C
Less than 1year		-20 °C ~ +30 °C	
Internal Impedance <sup>3)</sup> (after discharge to E.V.=1.0V)		Approx. 20 mΩ(at 1000Hz)	
Weight <sup>4)</sup>		Approx. 22 g	
Size <sup>4)</sup> : (Diameter) x (Height)		14.2 (D) x 50.0 (H) mm	

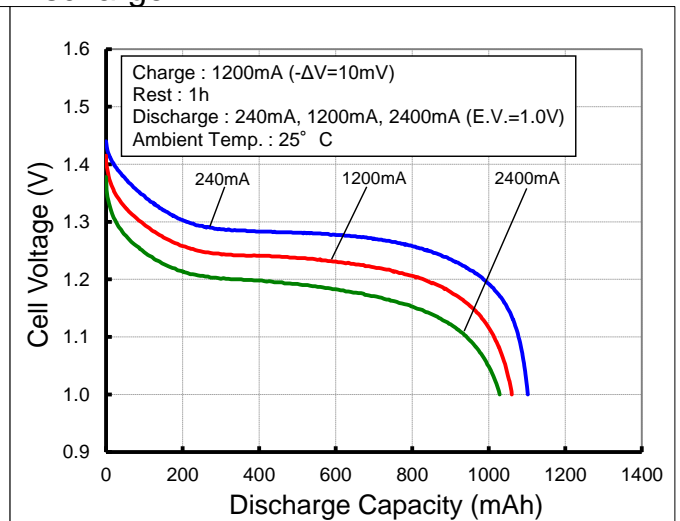
- 1) Single cell capacity under the following condition.  
Charge : 120 mA x 16 h, Discharge : 240 mA (E.V.=1.0 V) at 20 °C
- 2) Use recommended charging system.
- 3) After a few charge and discharge cycles under the above 1) condition.
- 4) With tube.

### Typical Characteristics

#### Charge



#### Discharge



YAH